



**Electrolux**  
PROFESSIONAL

**Beverage Dispensing System  
Chilled Juice Dispenser with UK  
plug**

ITEM # \_\_\_\_\_

MODEL # \_\_\_\_\_

NAME # \_\_\_\_\_

SIS # \_\_\_\_\_

AIA # \_\_\_\_\_



560057 (FJUICEUK)

\* NOT TRANSLATED \*

### Main Features

- Dispense chilled beverages produced starting from concentrate juice.
- Pressure-sealed insulated tank assures that the juice temperature doesn't change even in case of continuous dispense.
- Water level in the tank is automatically restored after every dispense.
- It can be used both with glass or jug.
- Pre-set dose or push control dispensing can be settled.

### Construction

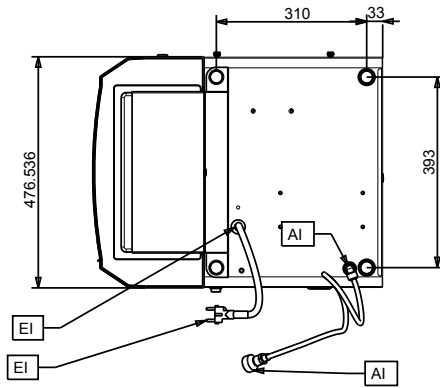
- The unit is provided with 3/4 inch connection pipe for water inlet.

APPROVAL: \_\_\_\_\_

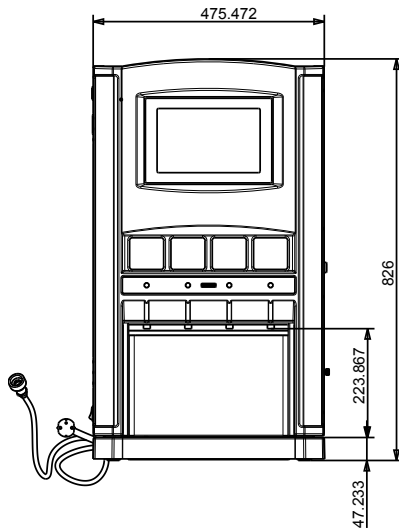


Experience the Excellence  
[www.electroluxprofessional.com](http://www.electroluxprofessional.com)

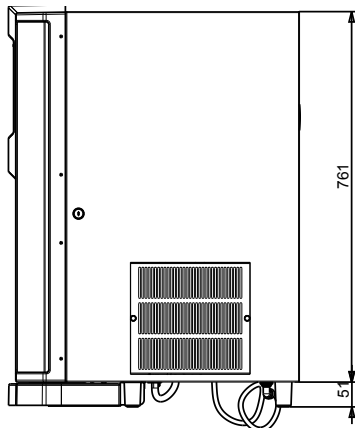
Other



Front



Side



## Electric

### Supply voltage:

560057 (FJUICEUK) 220-230 V/1 ph/50/60 Hz

### Electrical power max.:

0.5 kW

## Key Information:

External dimensions, Width: 475 mm

External dimensions, Depth: 600 mm

External dimensions, Height: 820 mm

Net weight: 50 kg

## Sustainability

Refrigerant type: R134a

Refrigerant weight: 100 g